

# SRJ03 SERIES WIRELESS CONTROL UNIT

## DESCRIPTION

SRJ03 series wireless control unit is used in central heat/cool air conditioning system. According detecting and comparing the set temperature and ambient temperature, the thermostat controls the active of heat/cool zone valve in central air-conditioner.

There are several control types: electric on/off type (SRJ03D), floating type (SRJ03F). The actuator can be matched with SBV01 and SBV02 ball valve, it can supply a signal to reposition the zone valve when the power is turned on or cut off.

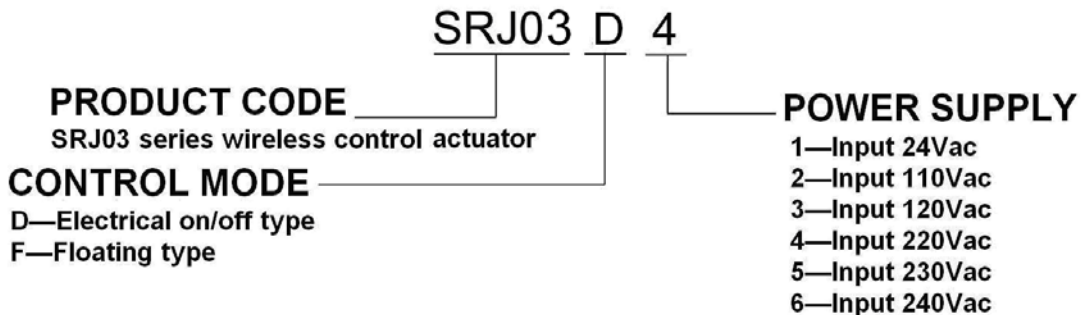
Please see details of remote thermostat on SRW-01Y data sheet.



## CHARACTERISTICS

- The thermostat (remote) and the actuator (receiver) are relatively independent; and they communicate by radio wave.
- Bi-directional AC motor
- Built-in micro-switch for power saving
- With manual switch and position indicator
- Return function when power is on or shut off (Only for electric on/off type and floating type)
- Overtime output signal will be cut off by overtime protection
- Return function when power is on or shut off
- Protection for instantaneous impulse and current surge.
- Combined receiver and actuator, easy to install and get wiring.
- PC+ABS plastic housing, apply to UL94V-0.

## MODEL SELECTION



## TECHNICAL DATA

MODEL	SRJ03D4	SRJ03F4
CONTROL MODE	Electrical On/off	Floating
POWER SUPPLY	110/120/220V/230/240Vac 50/60Hz	
POWER CONSUMPTION	2.5VA (unloaded)	
MOTOR POWER	6VA	
RECEIVING FREQUENCY	315MHz	
RECEIVING PRECISION	Better than -98dB	
CONTROL PRECISION	±0.5℃/±1℉	
OUTPUT (FAN)	AC220V/230V 2(1)A	
REPOSITION/OVERTIEM PROTECTION	120s	
MAX. ANGLE	90° < Limiter ≤95°	
OPERATION TIME	≈18S(50Hz/90°)	
EFFECTIVE DISTANCE	< 10m (without hindrance)	
AMBIENT TEMP.	0 ~ 55 ℃	

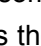
## APPLICATION

1. **Coding:** If different remotes are mixed up, they need to be coded again.

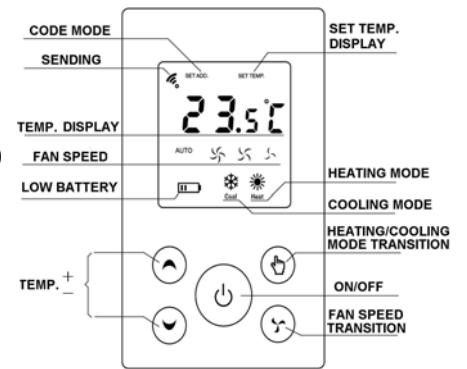
The steps are as follow:

The actuator (receiver) will go through self-test status (about 10 seconds) and sound “Beep” after power is on, and then it stays in Standby mode.

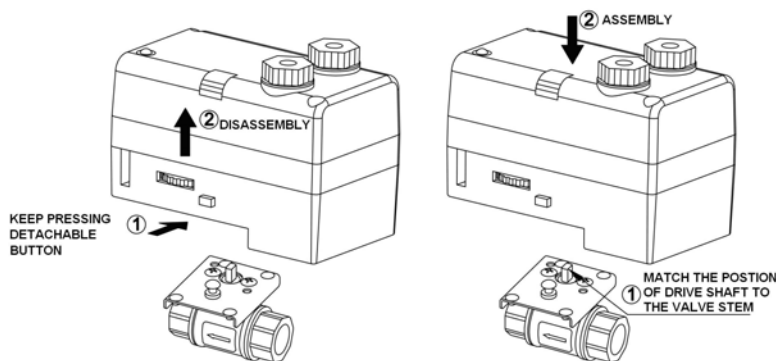
Press the Code Button (a little hole) or use the special code matcher, and the actuator will start sounding in every 5 seconds (lasts about 15 minutes). It means the actuator is in code mode. The code mode will be end after a successful code match.

Turn on the thermostat, after it finished self-check status, press and release the Code Button on the back side of the actuator (use something thin but firm, like iron wire), the symbol “SET ADD.” will be shown. If the symbol “” shown means the code order has been sent. If the actuator (receiver) sounds a long “Beep”, it means the code has been successful set.

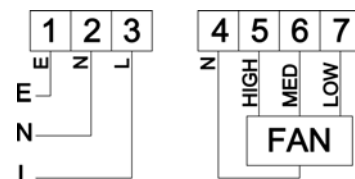
2. **Receiving:** When the receiver get signal from the remote, it sounds “Beep” for noticing. If the current signal is the same as former one, the receiver won't sound. The remote will send one action signal for four times in a short period to avoid signal receival failure.
3. **Installation:** The thermostat should avoid metal things, in case they affect radio transmission. The straight distance between remote and receiver should kept in 10 meters.
4. **Notice:** If the unit will not be used for a long time, please remove the batteries in the thermostat (remote) and cut off power supply of actuator (receiver) to prolong the useful life and prevent battery leakage.
5. The actuator and thermostat were encoded as a matching pair before leaving factory.



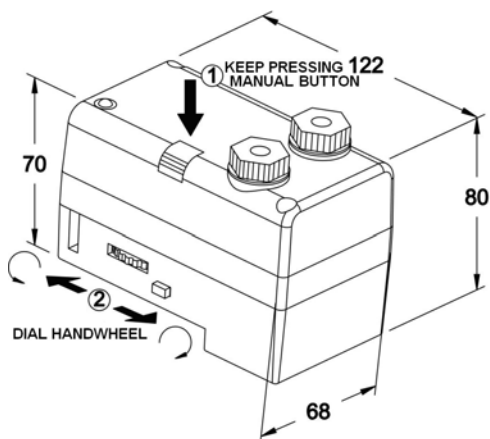
## ASSEMBLY/DISASSEMBLY



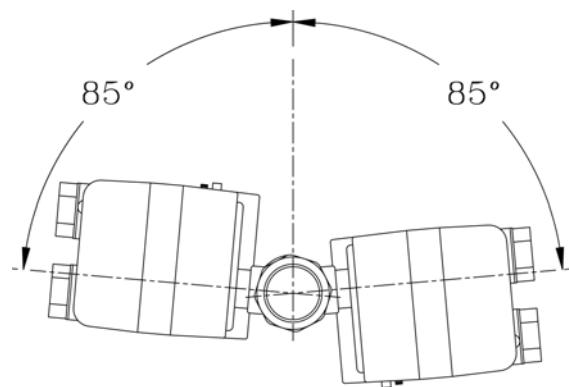
## ACTUATOR WIRING DIAGRAM



## MANUAL SWITCH



## INSTALLATION ANGEL



## WARNING:

- Cut off power supply when repairing or maintaining.
- Do not connect or disconnect wire when power is on.